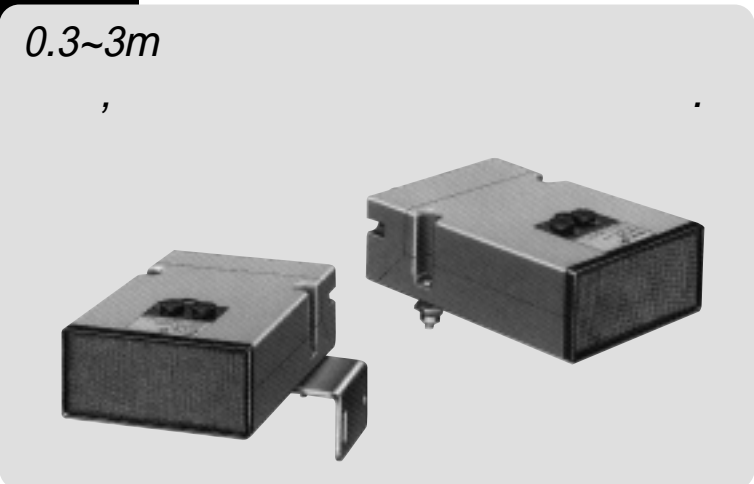


# E4A-3K



가

가

( )

가가

E4C2

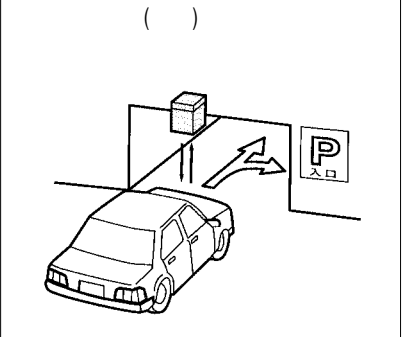
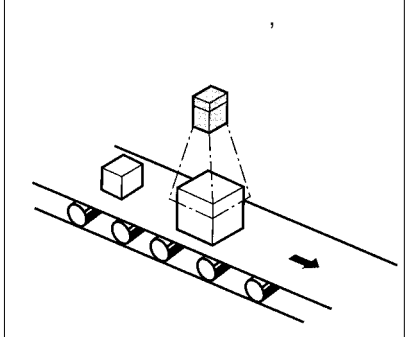
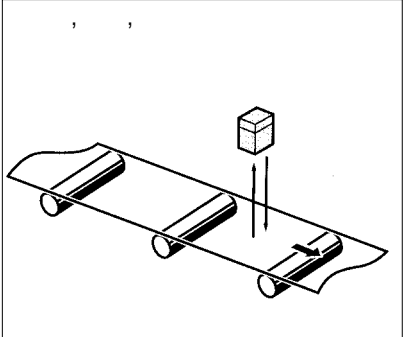
E4E

E4C

E4B

E4A-3K

E4R



( )

( 1c )		0.3~3m (가)	E4A-3K

/

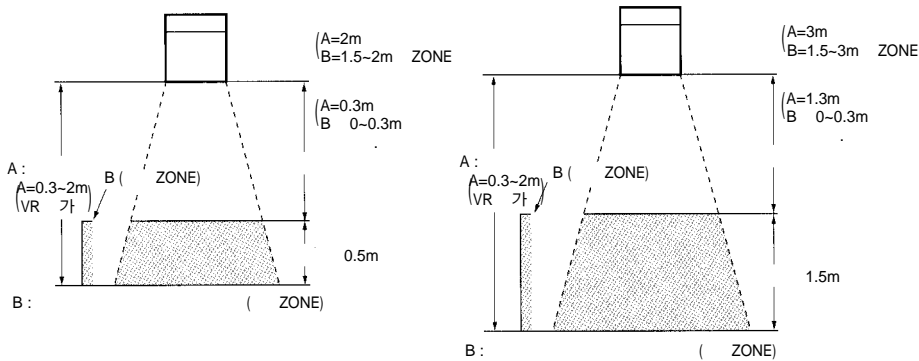
	AC	DC
*	AC100/110/200/220V ±10% 50/60Hz	DC12~24V ±10% (P-P)10%
	2.5VA	150mA
	0.3~3m 가 ( , 0.3~2m, 1.3~3m )	( )
	100mm, 1.5m	( )
	50 × 50mm	
	40kHz	
	25 °	
	: 0.25s, : 0.5s	
	1c	
	AC220V 3A cos =1, DC24V 3A cos =1	
	( )	
	-20~+55 ( , )	
	45~85%RH	
	20M (DC500V 가 )	
	AC1,500V 50/60Hz 1min	
( )	10~25Hz	1.5mm 3 2h
( )	500m/s <sup>2</sup> {50G} 6 3	
( )	2,000	
( )	10	
	IEC IP60	
	600g	

E4C2  
E4E  
E4C  
E4B  
E4A-3K  
E4R

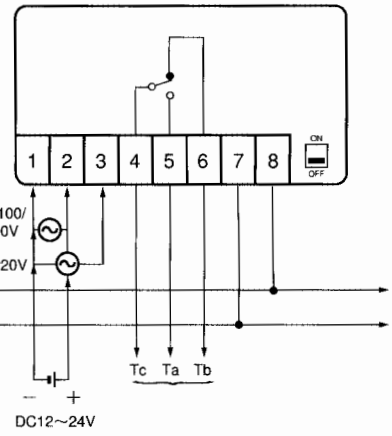
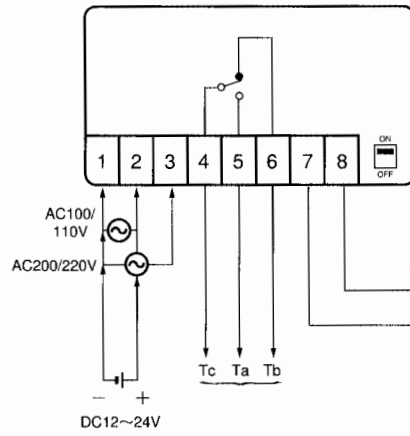
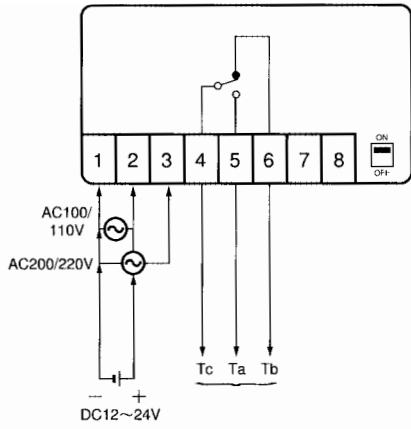
\*

0.3~2m

1.3~3m



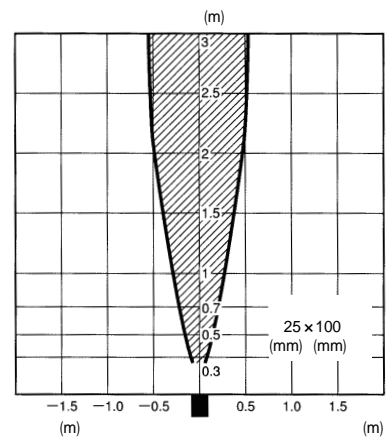
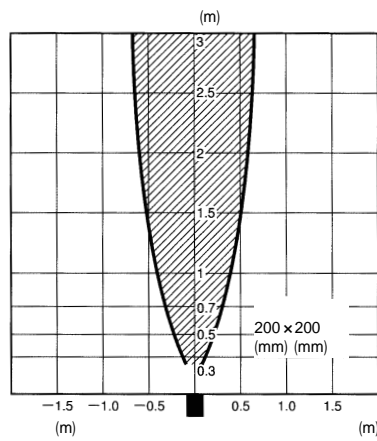
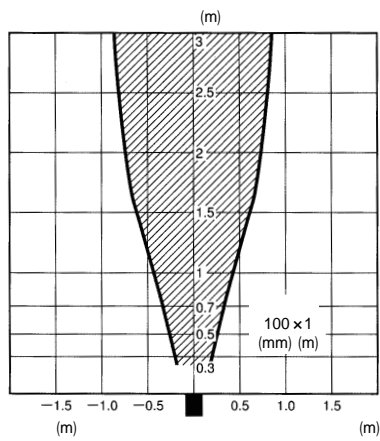
E4C2  
E4E  
E4C  
E4B  
E4A-3K  
E4R



1. ON
  2. 10
- ( )

1. ,
2. 50 가
3. ( )
4. 10
5. E4A-3K 가

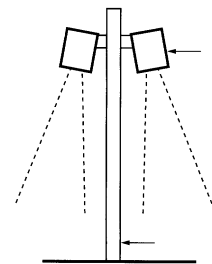
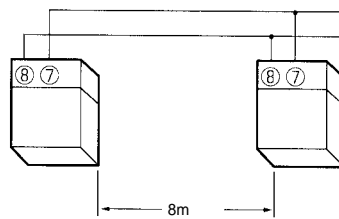
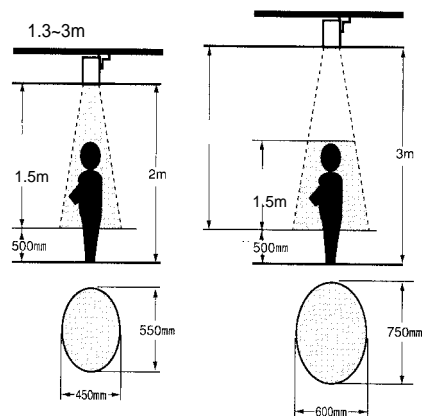
- 1 ON , OFF



8m

가

500mm



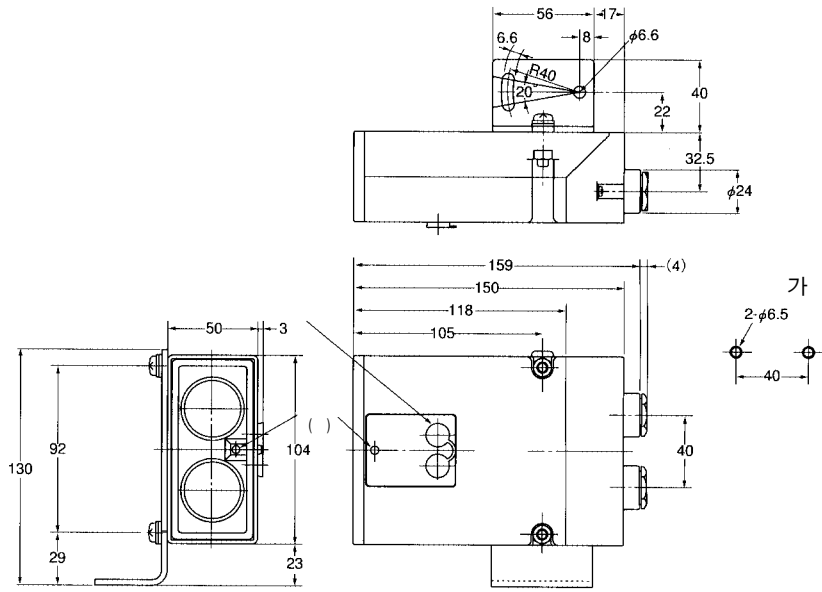
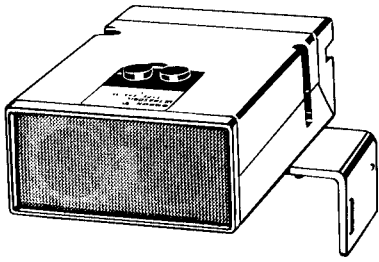


# E4A-3K

( )

( : mm)

E4A-3K



E4C2

E4E

E4C

E4B

E4A-3K

E4R